



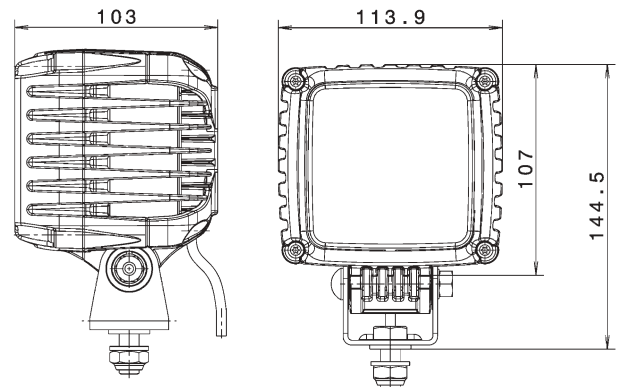
### Optimum in LED

- 16 high-power LEDs
- No interference with electronic devices e. g. radio
- Homogeneous close-range illumination – light intensity comparable with Xenon worklights
- Diecast aluminium housing, bracket made of stainless steel
- Service life up to more than 100 times that of a halogen bulb
- Lower power consumption compared with halogen light sources (43 Watts)
- Polarity reversal protection
- Overheating protection thanks to integrated thermal sensor

#### Technical data

Operating voltage	Multi-voltage 9–33 V
Power consumption	43 W
Luminous flux	2,200 lm permanent light intensity
Colour temperature	5,700° Kelvin
Ambient temperature	-40 °C to + 50 °C
Contacting	Cable with stripped ends

#### Product picture and technical drawing



#### Part number

1GA 996 189-001